



ALLTECH REFRIGERATION SERVICES
UNIT 18, 18/28 GRAY STREET
KILKENNY, 5009
PI (08) 83470636
FI (08) 83471740

BETTER BY DESIGN

QUIK-COOL 8 PALLET VACUUM COOLER

Specifically Designed For Fresh Produce

Cools fresh produce from 30°C - 2°C in 30 minutes

Vacuum coolers have been used form many years in various areas of the food industry for fast effective cooling. A Quik-Cool Vacuum cooler is one of the fastest and most economical methods of cooling in the market today.

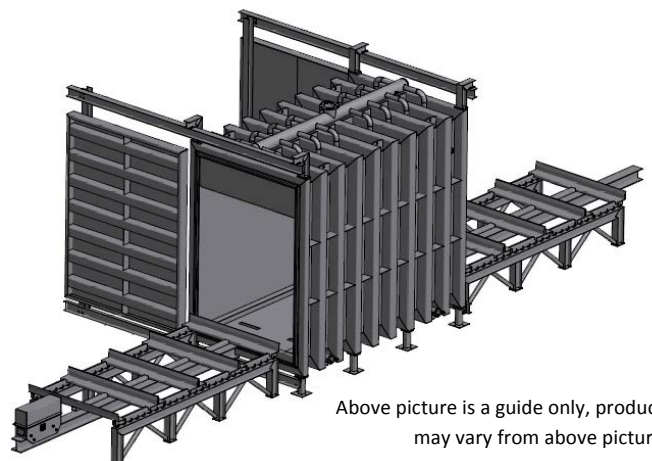


A vacuum cooler is designed to cool reliably without excessive removal of moisture. Compared with forced air chilling, a vacuum cooler removes heat from freshly picked produce in fraction of the time compared to cooling in a cool room, improving shelf life of the food and micro-organism control.

MODEL: VC8X2-WT
POWER SUPPLY: 415V / 50HZ / Estimate 450 Amp
CURRENT DRAW: 380Amps
INTERNAL USABLE HEIGHT: 2835mm
INTERNAL USABLE WIDTH: 2600mm
INTERNAL USABLE DEPTH: 5230mm
INTERNAL CONSTRUCTION: 304 GRADE S / STEEL
CHILLING PERIOD: +30°C to +2°C IN APPROX 30 MINS
OPERATING CONDITIONS: + 40°C
OPERATION PANEL: QUIK-COOL SMART TOUCH PAD
REMOTE PLANT:
COMPRESSOR: BITZER
VSD INCLUDED
404A REFRIGERANT
VACUUM PUMP: BUSCH
ELECTRICAL CONTROL PANEL
WARRANTY: 12 MONTHS



Above picture is guide only of 4 pallet model



Above picture is a guide only, product may vary from above picture

DESIGN

SALES

INSTALLATION

SERVICE

PLANNED MAINTENANCE